

PRODUCT GUIDANCE

**Divine Style Cantilever Parasol with
Waterproof Cover & Optional LED Lights
(Optional G-Blocs Base Weights Supplied &
Delivered Separately)**

1-2 PERSON ASSEMBLY



**FLOOR AREA
1.5M X 1.5M**

REQUIRED ASSEMBLY TOOLS

Wrench/Spanner - Included



Firstly thank you for purchasing our product, we really mean it!

We understand you have many choices and we genuinely hope our product completely meets your needs.

Wherever your purchased it, if you are happy please leave a product review - it means the world to us and helps other customers make an informed choice.

Problems or missing parts? Reach us at fixit@i4ingenuity.co.uk

Yes, we know, instructions are boring as hell to read. These are quite short though and we want you to get the best from your product. Ten minutes reviewing these before you start may save you a lot of pain or time later.

IMPORTANT - Part Check

This guidance is for model numbers beginning:

DS-PARA-..... (Models without LED lights)

DS-PARA-LED.... (Models with LED Lights)

Large Parts

A

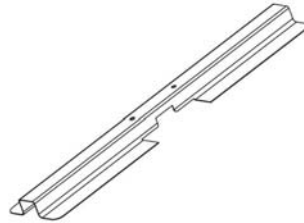
1 X



Cross-base Piece 1

B

1 X



Cross-base Piece 2

C

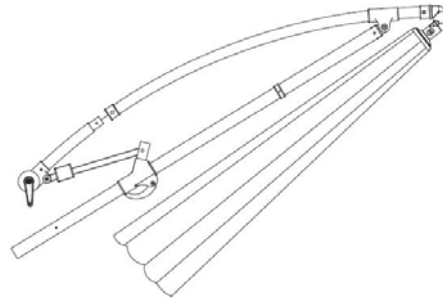
1 X



Base Pole

F

1 X



Canopy & Upper Frame

Small Parts

D

4 X



CB Screw

E

4 X



CB Screw Washers

H

1 X



Wrench/Spanner

R

1 X



Rainproof Cover

L



LED Solar Panel

Only for LED Models

ASSEMBLY

So we have all the parts now it's time to assemble. First however you need base weights. You may have purchased our parasol with our G-Blocs base. If so you can skip this page. The link to the guidance for using the base can be found in the G-Blocs product carton which we highly recommend you download and review.

We strongly recommend using our parasols with our G-Blocs 4pc base weight set. All cantilever parasols due to their offset nature require something to weigh them down. Our G-Blocs base has been especially designed for this very purpose. You can purchase them at the following link:

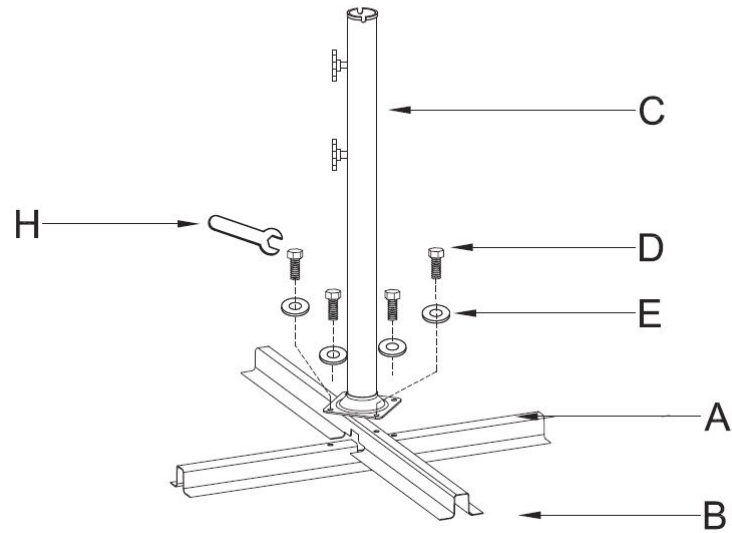
<https://www.amazon.co.uk/Divine-Style-G-Blocs-Cantilever-Parasol/dp/B095QMV488>



Please turn over for parasol assembly guidance

ASSEMBLY

1

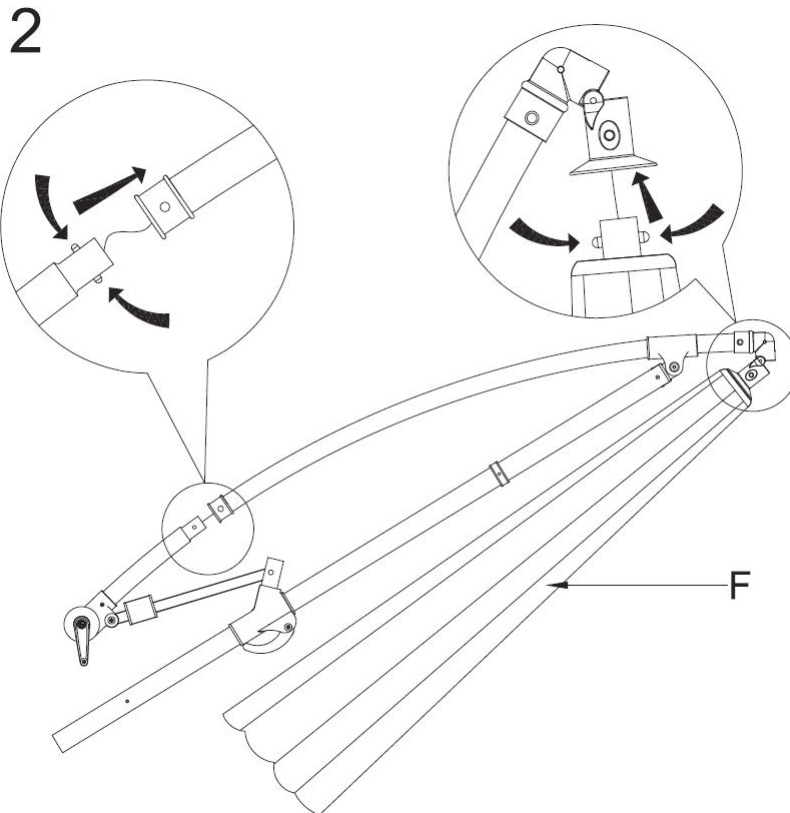


Plan ahead and decide where you want to site your shade bearing in mind that the parasol once fully erected with base weights will be very heavy.

Once you have determined the positioning, take the cross-base sections A & B and fit together like shown.

Now take the base pole C and using the washers E, screws D & spanner H, securely attach the base pole to the cross-base piece like shown.

ASSEMBLY

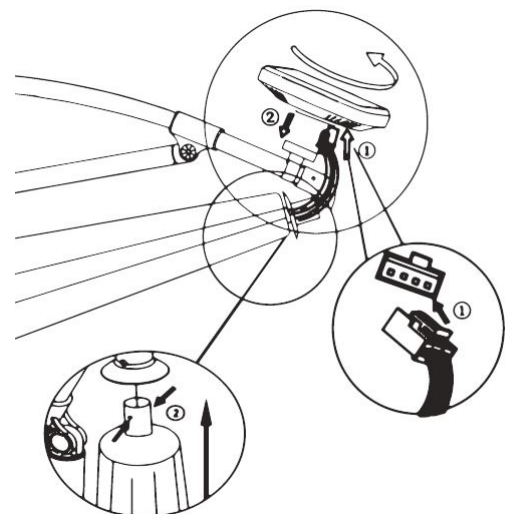


Position the frame F on the ground like shown. Push & click together the frame pieces like shown.

Optional - LED Light-up Models Only

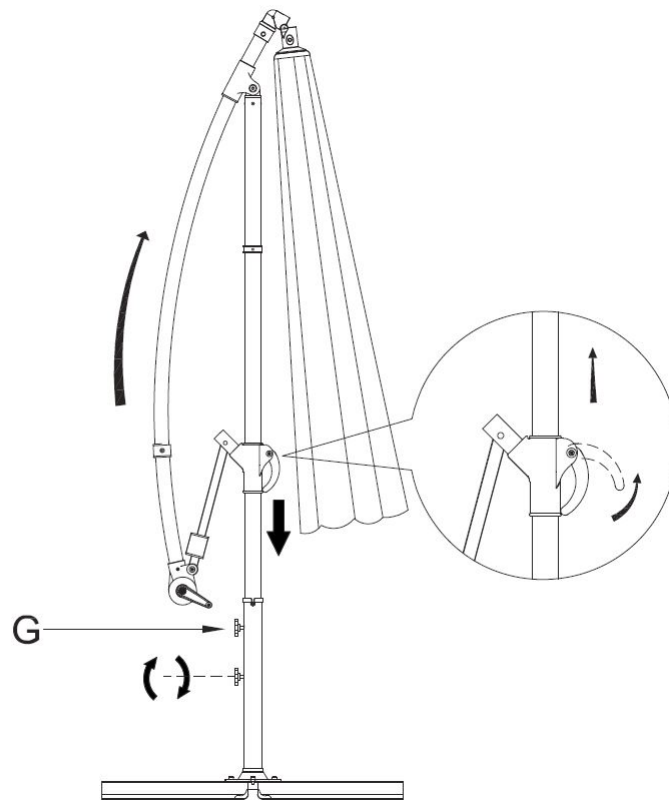
Take the LED solar panel L and screw in to the bracket on top of the canopy like shown.

Now attach together the cable connectors like shown.



ASSEMBLY

3



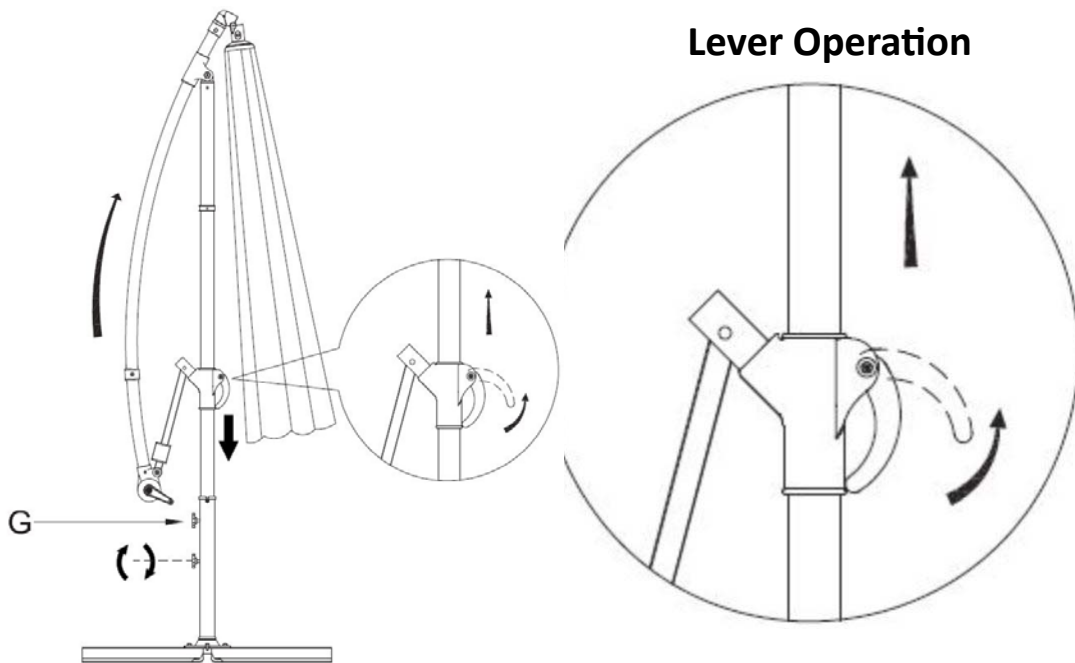
Now it's time to unite the frame F with the bottom pole C. Firstly ensure the bolts labelled G (these are integral bolts for the bottom pole) are loosened as the frame F is going to slide in to this section.

Take the frame F and slide in to the bottom pole C. Now rotate the frame in to your desired position and then tighten bolts G. You can loosen these bolts during everyday use to rotate the parasol if you wish. Don't forget to re-tighten them again though ;) We recommend that you position your base weights (hopefully G-Blocs ;)) over the cross base A&B, and fill to provide the gravity (weight).

Congratulations! The assembly is complete, now let's move on to everyday operations.

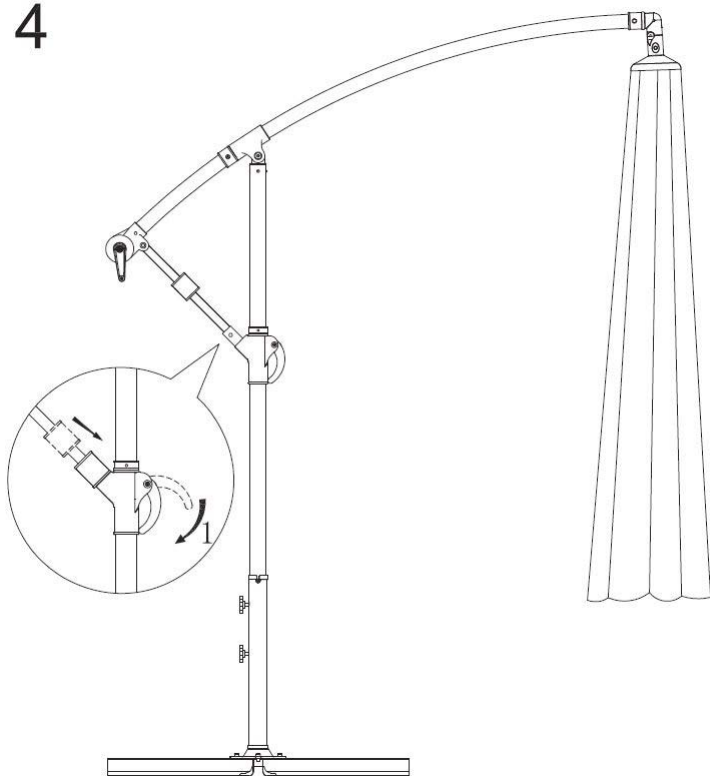
OPERATIONS

3

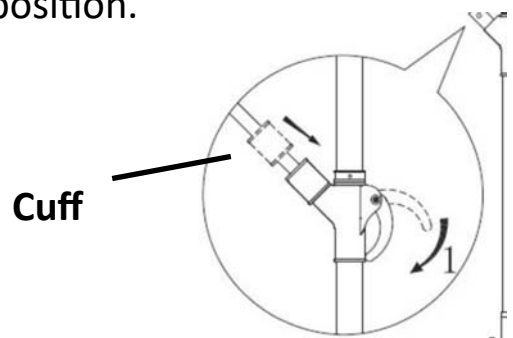


The parasol can be used in either a horizontal position like over a table & chairs or furniture set for example. Ensure that the lever is unlocked by moving it up like shown. Now you can push this section up as far as it will go. The canopy will move away from the central support.

4

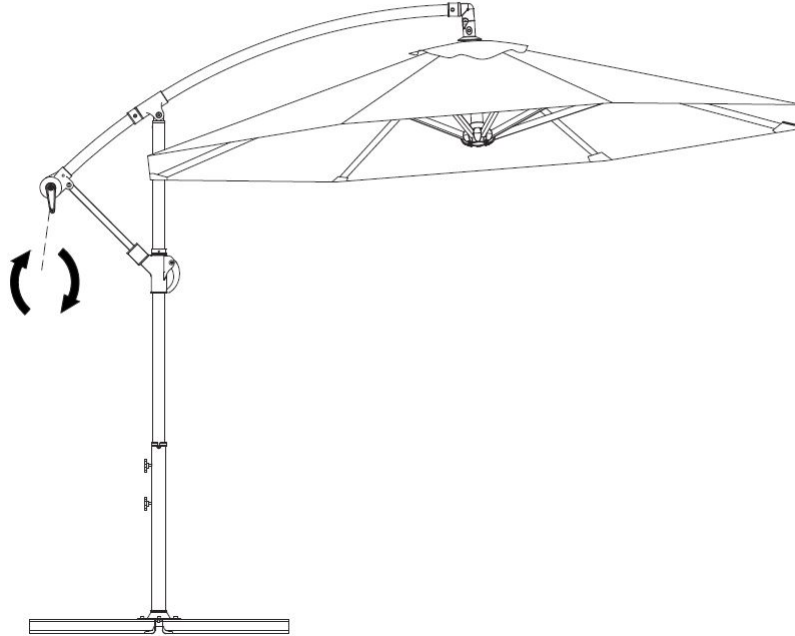


Re-lock for the lever on the central support. There is a cuff sleeve that slides up and down the diagonal support as below. Pull this down also. **ALWAYS** disengage the cuff before releasing the lever when returning the canopy to its unextended position.



OPERATIONS

5



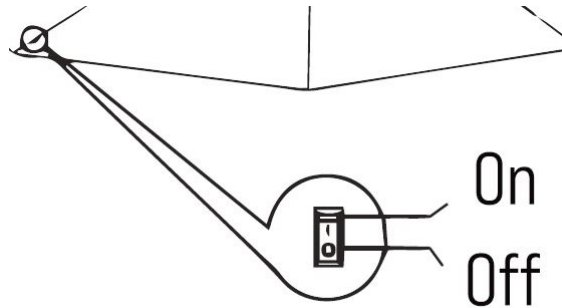
Use the winch as shown to open the parasol canopy. Do not overtighten.

You can also use the parasol in a tilted position. Release the lever and slide the mechanism down the pole to the desired tilt position and re-lock the lever. Please note when using the parasol in a tilted position, more wind movement may be experienced as it increases the surface area of the canopy being exposed to the wind.

We recommend not using the parasol in a tilted position if it is breezy.

OPERATIONS

Optional - LED Light-up Models Only



There is a switch underneath the canopy. You can turn the lights on when required e.g. dusk. Providing the solar panel has sufficiently charged it will provide approximately 6 hours of light.

The solar panel takes about 8 hours to charge fully.

It is important that you turn the lights off when not in use otherwise the solar panel will continually discharge and also shorten its lifespan.

CARING FOR YOUR PARASOL

We want your parasol to last for many years to come. Following these points will help its longevity.

- 1) **Do use the supplied rainproof cover** in between uses. Ensure that the parasol is fully retracted using the winch, the cuff disengaged and the level unlocked so that the parasol is fully in its down collapsed position.

The cover helps protect from dirt, grime, mildew & fading.

- 2) If you are not using the parasol for long periods e.g. winter, we **highly recommend storing the parasol inside**. Even with the cover on, long periods without air circulation underneath can lead to mould spots on the fabric. In the unlikely event this happens, white vinegar can be used to gently clean these away.
- 3) As this is a domestic parasol it is designed to withstand a **light-moderate breeze only**. Only commercial grade parasols are safe to use in windier conditions. The parasol includes a wind flap at the top to reduce movement in breezy conditions. When not in use, please ensure you retract the parasol in case the wind increases suddenly.
- 4) **Wind movement**. Particularly in a tilted position you will likely notice wind movement or unwanted rotation. The parasol does feature an air vent to help but we understand the movement may be undesirable. The obvious answer is to not use the parasol when it is too breezy. An alternative is to purchase cantilever parasol wind straps. These are low cost and will further help prevent unwanted movement.
- 5) If you have a light-up model and the lights fail to illuminate. Ensure that the solar panel has had time to charge and the lights are switched on. Also check the cable connectors and ensure the connection is secure with no breakages in the wiring.

OTHER STUFF

Materials:

Canopy - Polyester

Frame - Powder Coated Steel

Dimensions:



Made in China

Divine Style is a trademark of i4ingenuity Limited

If you have any problems or queries please send us an email at

fixit@i4ingenuity.co.uk It will be helpful to us to include your product model number which can be found on the box. Also the date you purchased and order number if possible.